



# فالكون باور العالمية

لأجهزة السلامة



متوفر لدينا صناديق الحريق  
توريد بأسعار وجودة  
لا تقبل المنافسة

خدماتنا غير

Our Services is different

جودتنا غير

Our Quality is different

هاتف: 0547777503

# - MATERIAL SUBMITTAL FOR FOAM FIRE HOSE CABINET

- PRODUCT (FG4001RF)
- TECHNICAL DATA SHEETS.
- APPROVALS.
- PREVIOUS APPROVALS.



# - FG4001RF

- FOAM FIRE CABINE
- FIRE FOAM CABINET COMPONENTS
- FIRE HOSE REEL
- RACK AND REEL FIRE HOSE

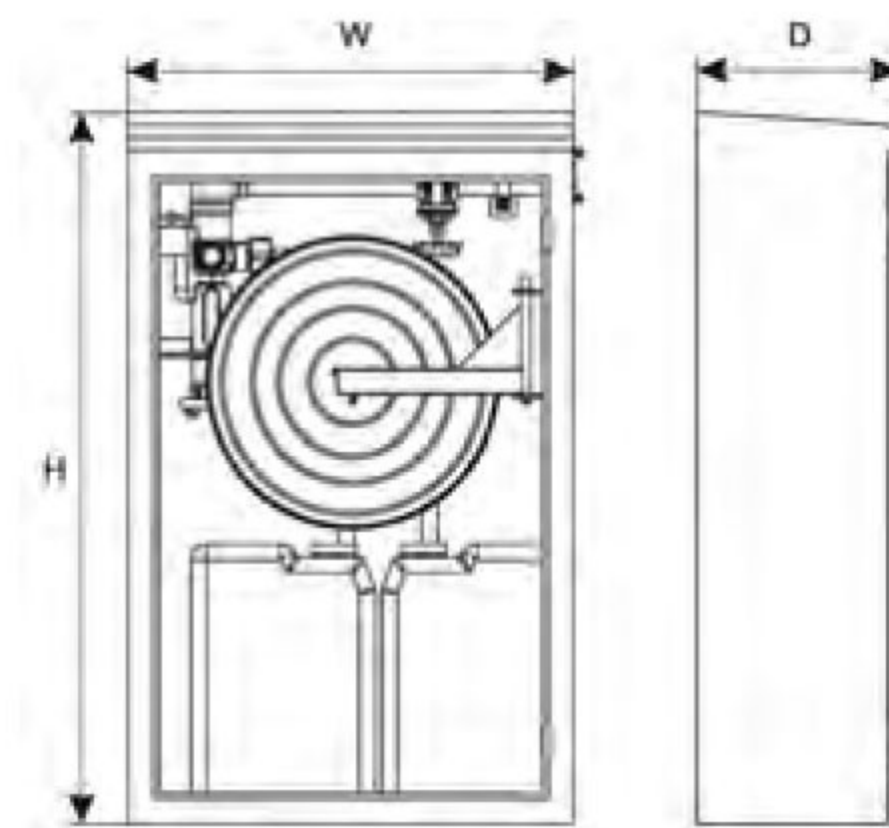


# Foam fire cabinet (Foam system + fire hose reel)

Foam fire cabinet incorporates both foam extinguishing system and water extinguishing system. It is an efficient firefighting equipment for single man operation to attack class A and B fire.



- Capacity: Low expansion foam system + fire hose reel
- Mounting: Wall surface
- Surface: Red powder coating / SS



## Main parts and material

<b>Box / door</b>	Cold rolled steel or SS, mm thickness	<b>Door type</b>	Single door, from left to right open 180°, bullet hinge or continuous piano hinge
<b>Door glazing</b>	Non (full solid), or acrylic viewing panel (Inside slotted or embedded into the door)	<b>Lock</b>	Rotary pull lock, or keyed cylinder lock, or keyed lock pull handle

## Available size

Cabinet content	Type	Mounting	Dimension W x H x D (mm)
Inline inductor with pick up tube, 1-1/2"	1-1/2" foam system + 1-1/2" fire hose reel	Surface	700 x 1120 x 300
Foam branchpipe with control valve, 1-1/2"			
Foam concentrate container 2 x 20L			
fire hose reel, 1-1/2" x 30m, BS336 / Storz / NH			
Water inlet pipeline and brass valve, size 2"			

## Note:

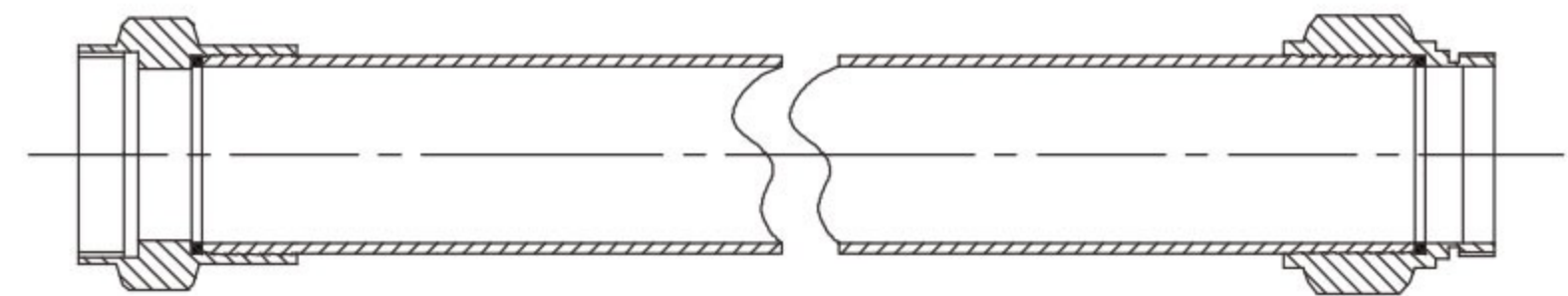
1. For foam system, it is available with foam concentrate AFFF 3%.
2. Different types of foam concentrates are available on request.

# Rack and reel fire hose

Rack and reel fire hose is intended for interior fire protection purpose of occupant use, lightweight and compact. It is a part of fire hose rack assembly for hose station, folded on a pin rack or coiled on a reel, ready for use.



- Certificate: UL Listed / FM Approved
- Standard: UL 219, NFPA 1961 / 1962
- Feature: Occupant use, lightweight
- Color: White, standard
- Avail. coating: Impregnated yellow, red, etc.
- Temperature: -40°C to 70°C



## Main parts and material

<b>Lining</b>	TPU (Thermoplastic polyurethane)	<b>Single jacket</b>	100% virgin filament polyester for warp and filler threads
<b>Coupling</b>	Brass / aluminum, rocker lug swivel, NH	<b>Packing</b>	Folded, or rolled

## Available size

Size	Type	Lining	Length (feet)	Service pressure (psi)	Proof pressure (psi)	Burst pressure (psi)	Remarks
1-1/2"	Single jacket	TPU	50 / 75 / 100	250	500	750	UL

**Note:** The couplings are pre-assembled on both ends of fire hose through expansion rings.

# **- FALCON GOLD FOAM CABINET**

**Falcon Gold provides a wide range of effective FOAM/WATER CABINETS.**

**These cabinets are designed in such a way that one person can operate one unit both safely and effectively.**

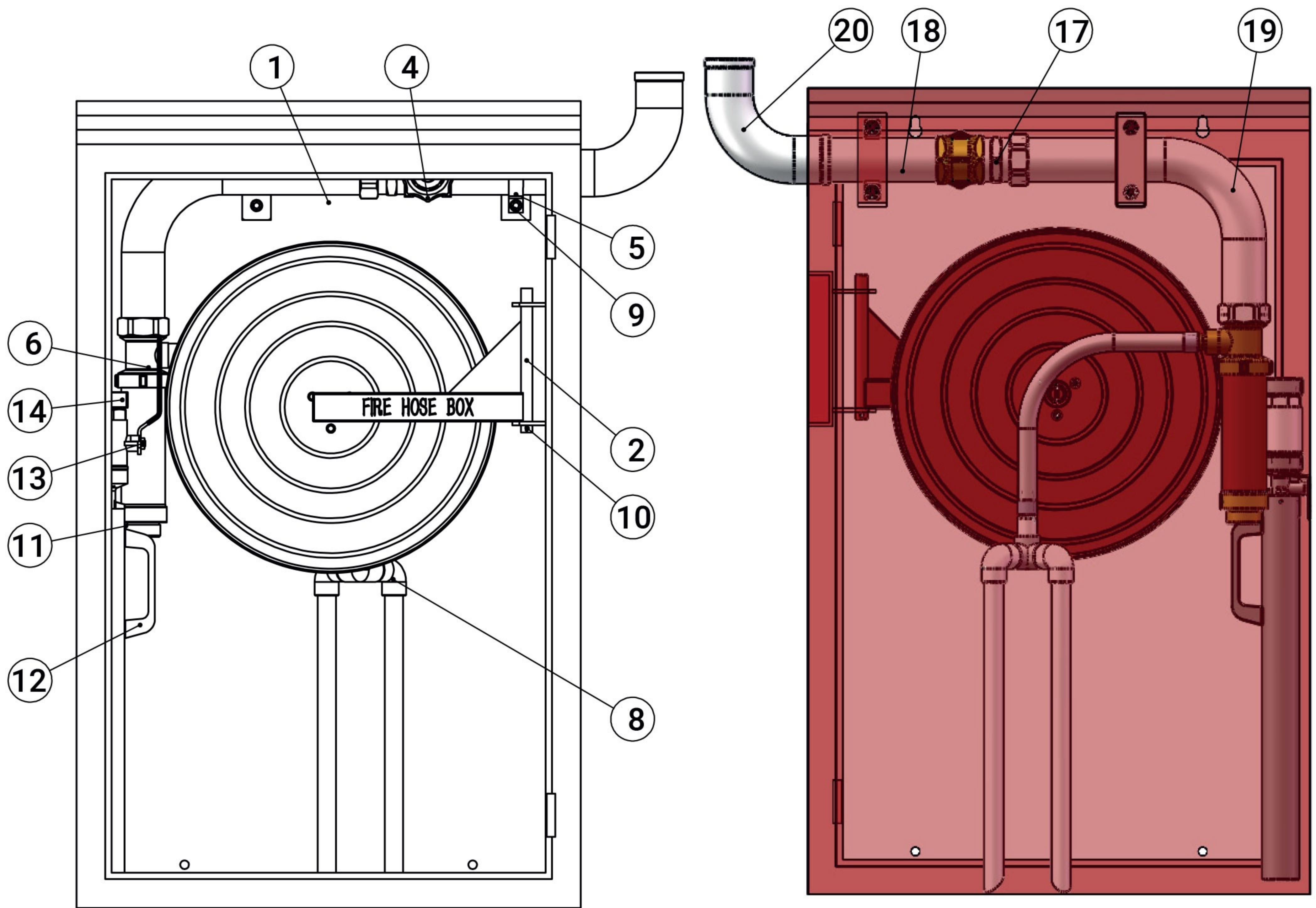
**These cabinets have high performance for extinguishing class A and B fire classes. Gas stations, petrochemical plants, industrial premises, and warehouses are just a few places where these cabinets can be installed.**

## **- ALL FIRE HOSE CABINETS AS WELL AS SHEET-MADE PARTS ARE:**

**Constructed from 1.2 mm Cold Rolled Steel (CRS), with all round folded edges. Even Hose Reel edges are curled to assure safe handling.**

**Falcon Gold Fire Hose Cabinets are fabricated with Metal Inert Gas Welding Process, then pretreated with zinc phosphate to improve rust resistance. Afterwards, they are electrostatically painted with red polyester resin paint before being baked in the oven to give a hard-wearing resistance and gloss finish. Fire Hose cabinets are painted red with a polyester resin-texture finish. Hose reels have been hydrostatically tested to 20 bar pressure for leaks. High-level quality control standards are implemented to get quality products. Falcon Gold is not only manufacturing your designs but also makes your dreams come true.**

# - Fire Foam Cabinet Components



No.	Name
1	Fire Cabinet,700x1120x300
2	Fire Hose Reel 1.5 in,UL
3	Gasket,60x45x3
4	Gate Valve,G2xG2x64.5
5	Clamp,60x35x20
6	Foam Inductor
7	Flexible Suction Hose Subassembly,G1-1/2"xPF3/4x300
8	Foam Suction Tube Subassembly,G3/4"xDN25x500
9	Hex Bolt,M10x20
10	Split Pin,41x4
11	Connector,NH1.5xG2x42

No.	Name
12	Foam Nozzle
13	Ball Valve, G1.5"
14	Connector,NH1.5xG1.5x42
15	Washer,52x43x2
16	External thread street
17	Male Tube,G2"xG2"x175
18	Elbow pipe, G2
19	Washer, 55x45x3
20	90°Elbow pipe,G2"x2"BSP



# FALCON POWER

## FOR SAFETY EQUIPMENT



توريد بأسعار وجودة  
لا تقبل المنافسة

هاتف: 0547777503

فالكون باور السعوديه - ٦١١٢ شارع فلسطين  
جده ٢٣٣٤١ - المملكة العربية السعوديه

E-Mail: [Info@falconpower.sa](mailto:Info@falconpower.sa)  
Web: [www.falconpower.sa](http://www.falconpower.sa)

Falcon Power Saudi Arabia 6112 palestine Street  
Jeddah 23341 - Kingdom of Saudi Arabia