



فالكون باور العالمية

لأجهـزة السلامة



متوفر لدينا صناديق الحريق
توريد بأسعار وجودة
لا تقبل المنافسة

خدماتنا غير

Our Services is different

جودتنا غير

Our Quality is different

هاتف: 0547777503

- MATERIAL SUBMITTAL FOR FIRE HOSE CABINET

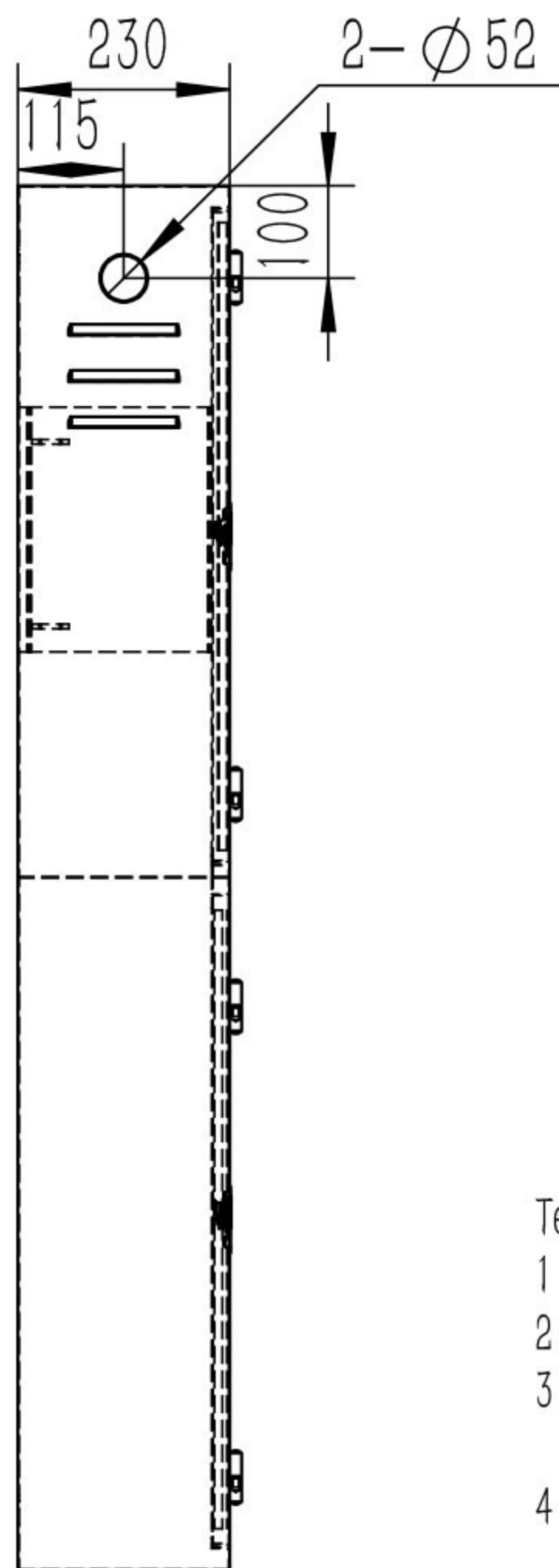
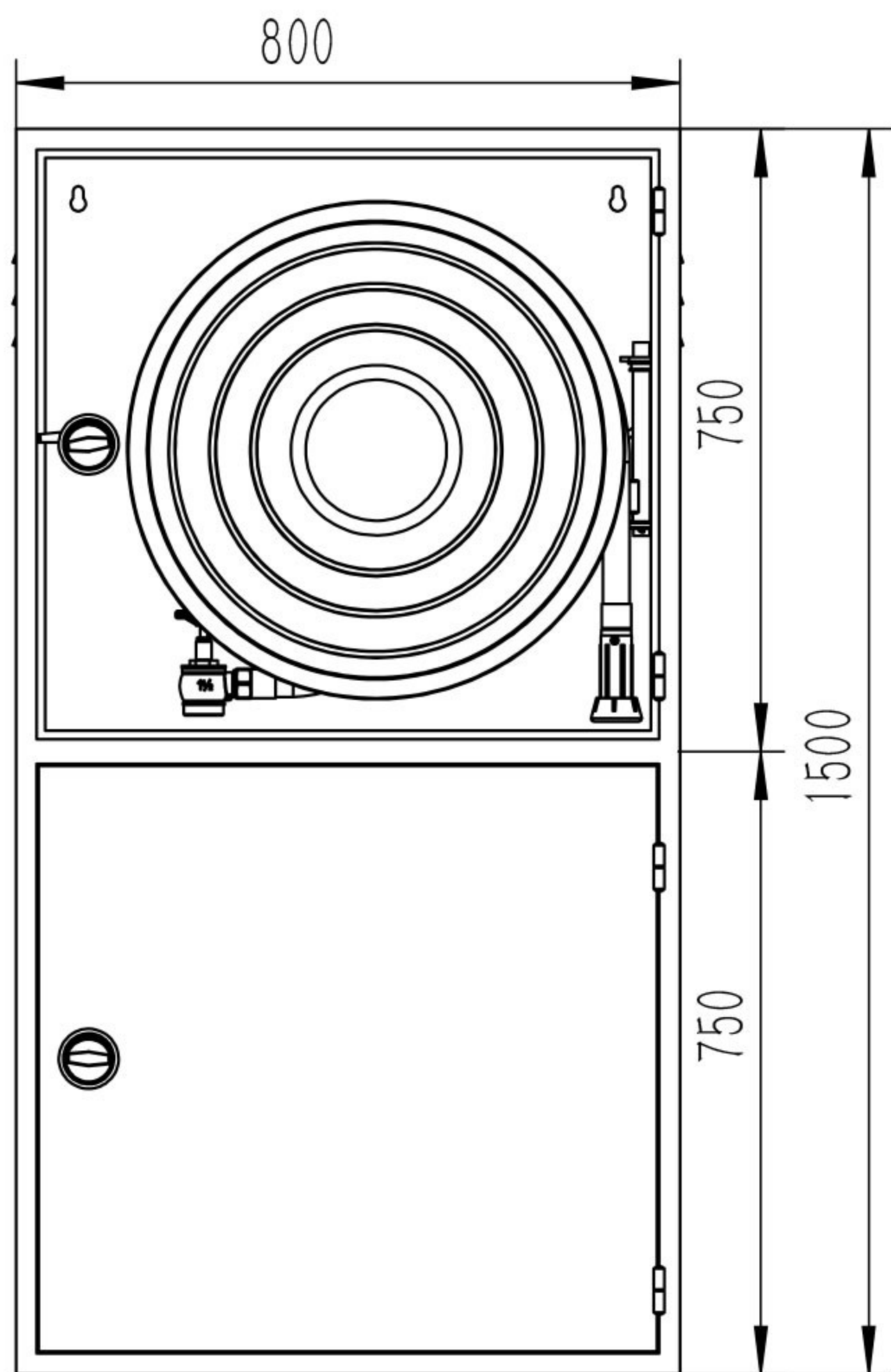
- PRODUCT (FGV-3001R)
- TECHNICAL DATA SHEETS (CATALOGUES).
- LPCB APPROVALS.
- PREVIOUS APPROVALS.



- FGV-3001R

- DOUBLE DOOR,
- SURFACE MOUNTED,
- MILD STEEL,
- VERTICAL HOSE REEL CABINET






Technical requirements:

1. Cabinets made of 1.2mm mild steel and RAL3000 powder coated
2. Cabinet must be pickled and descale before painting.
3. Cabinet with four installation holes on the back board and two holes at the bottom— ϕ 10 drainage holes at bottom and dapboard
4. Cabinet supplied with round S.S round lock and welded hinge

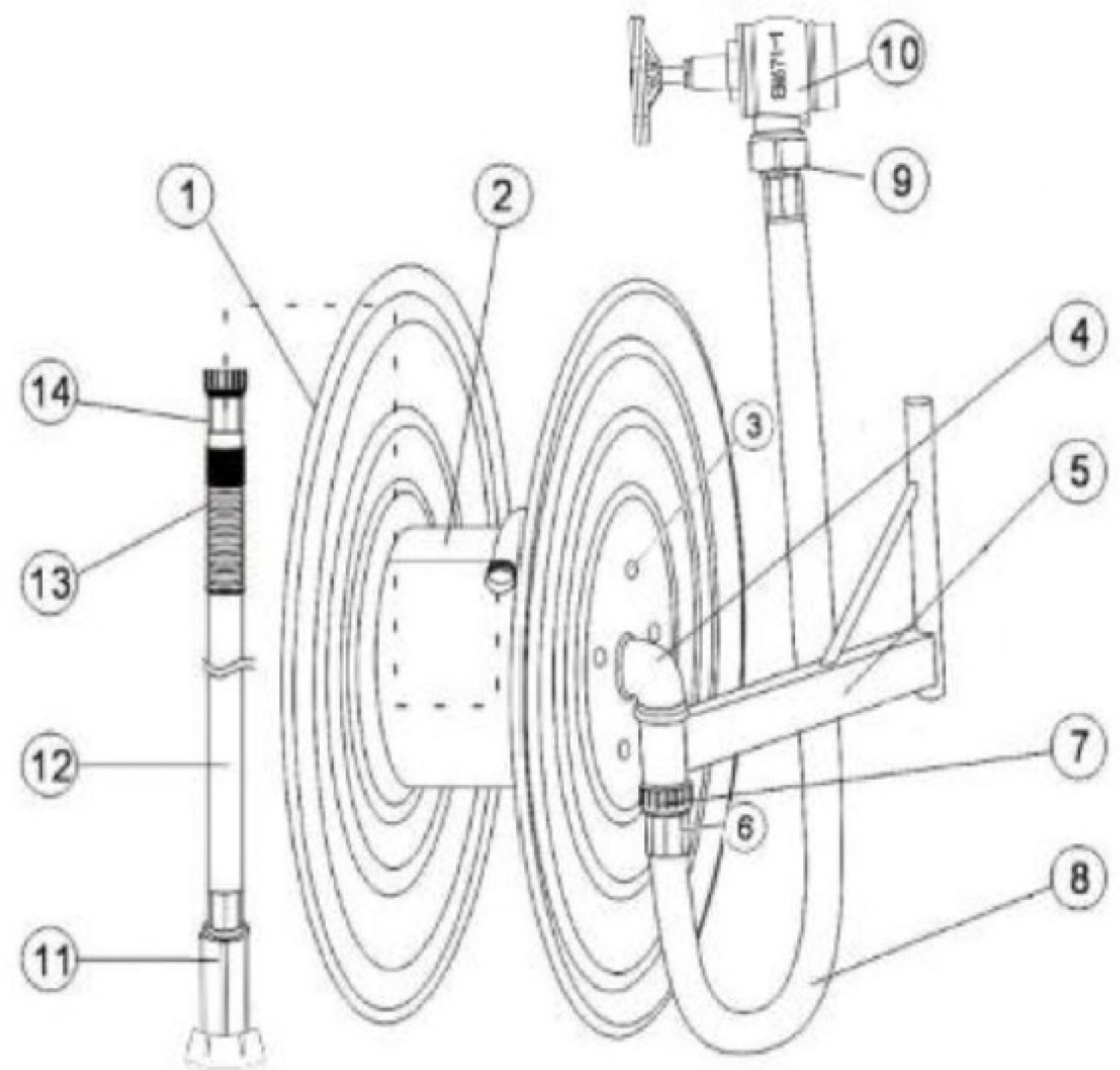


- FGV-3001R

△						Name	Surface Mounted Double Vertical Fire Cabinet			Approve	
△						Material	SPCC 1.2MM	Surface Colour	RAL3000	Design	
△						Drawing No.	Unit	mm	Proportion	1:10	Draw
△											
△						 Falcon Gold				Revision	A
△											
	NO.	Original Size	Modified	Revisor	Auditor	Date					

- FIRE CABINET WITH FALCON GOLD HOSE REEL

- CABINET MANUFACTURED FROM MILD STEEL THICKNESS 1.2MM RAL3000 POWDER COATING
- CABINET DIMENSION W 1500MM X H 800MM X D 230 MM
- CABINET FULLY POWDER COATED AND OVEN BAKED FOR APPEARANCE AND PROTECTION FROM RUST.
- SURFACE MOUNTED TYPE, RIGHT HAND OPENED, WITH WELDED HINGE FOR ENOUGH STRENGTH
- CABINET SUPPLIED WITH S.S ROUND LOCK FOR EASY AND FAST OPERATION.
- FULLY APPROVED TO LPCB EN671-1 STANDARD;
- HOSE REEL DRUMS PRESSED ON HYDRAULIC PRESS TO FORM RIBS FOR STRENGTH AND DURABILITY.
- HOSE REEL DISK EDGES ROLLED OVER FOR SAFE HANDLING AND AESTHETIC APPEARANCE.



- SWINGING MANUAL HOSE REEL ASSY

● PARTS NAME

- ① HOSE REEL DISC ② HUB ③ LONG SCREW ROD ④ MANUAL WATERWAY ⑤ SWINGING ARM
- ⑥ CRIMPING SLEEVE ⑦ INLET JOINT ⑧ INLET HOSE ⑨ CONNECTOR ⑩ ANGLE VALVE 1.5"-1" A-4 MODEL
- ⑪ NOZZLE N-04-2 ⑫ FIRE HOSE 25*30MTR ⑬ PROTECTIVE SPRING ⑭ OUTLET JOINT

● FEATURES

- FULL BRASS WATERWAY WHICH WILL NEVER ROT. WE USE NIPPLES NOT HOSE CLAMPS, TO FILL IN THE INTERFACE BETWEEN HOSE AND WATERWAY. ONCE BEING SCREWED TIGHTLY, NO LEAKAGE.
- HOSE REEL WITH POWDER COATED AND ANTI-ULTRAVIOLET SIDE DISCS. THERE CAN BE PRESSURE GAUGE AT THE REEL AXIS.
- HIGH PRESSURE RESISTANCE; WORKING AT 30 KG PRESSURE BUT NOT AFFECTED.
- ENDURANCE TEST ON REEL ROTATION; AFTER OVER 3000 ROTATION, HOSE REELS SHOW NO VISIBLE LEAKAGE; OUR SWINGING HOSE REELS SHALL BE ABLE TO SWING 1000 TIMES TO MINIMUM 170° AND ALSO SHOW NO VISIBLE LEAKAGE OR DAMAGE.
- HIGH PRESSURE SPRAY. THE NOZZLE CAN BE ADJUSTED TO JET/SPRAY;
- OUR HOSE REELS CAN BE ALSO USED FOR CLEANING WHEN USED FOR FIRE FIGHTING.
- FIRE HOSE WITH ANTI-AGING AND ANTI-ULTRAVIOLET FUNCTION. MAXIMUM WP. IS 12BAR. AVERAGE BP. CAN BE UP TO 45BAR.

● PRODUCT SPECIFICATION & INSTALLATION MEASUREMENT

MODEL	HOSE SPECIFICATION (MM)	DIAMETER (MM)	BRACKET LENGTH (MM)	REEL WIDTH (MM)	HOSE PRESSURE (BAR)
FGV-3001R	25MM×30MTR 65MM×30MTR	600	290	150	12 BAR 17 BAR

● USAGE

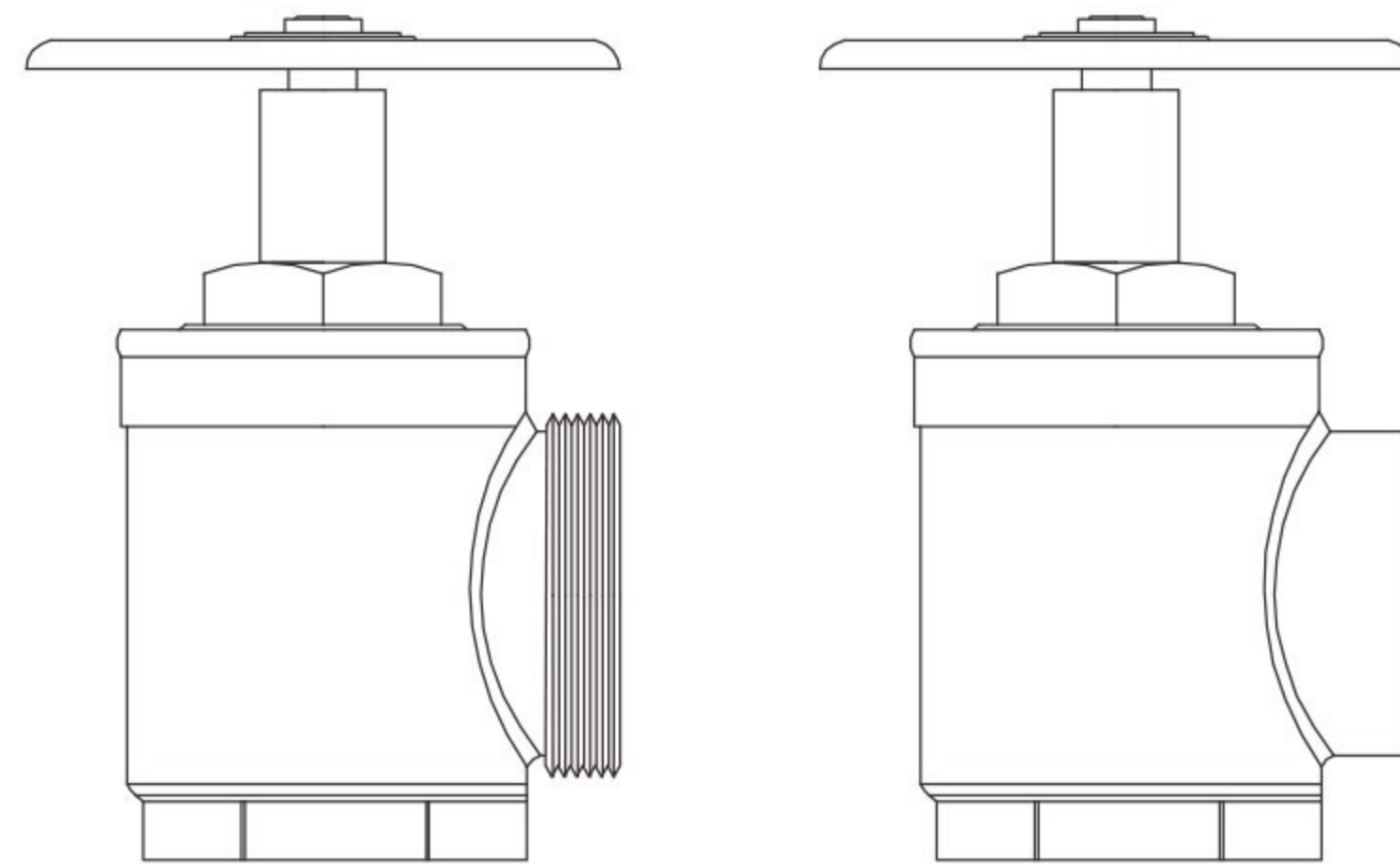
- 1 OPEN THE VALVE
- 2 PULL HOSE TOWARDS FIRE
- 3 OPEN NOZZLE TO SPRAY/JET AND AIM AT BASE OF FIRE.
- 4 AFTER USE, CLOSE THE VALVE
- 5 DRAIN WATER FROM HOSE
- 6 REWIND THE HOSE AND CLOSE NOZZLE ⑪.

Hose angle valve

Hose angle valve (Angle hose valve) is used to control water flow for fire department outlet connection, or with fire hose rack assembly. It features angle pattern and rising stem, tight sealing, ideal for wet piping system.



- Certificate: UL Listed / FM Approved
- Standard: ANSI / UL 668
- Function: FDC outlet, or hose rack assembly
- W. pressure: 300 psi
- Surface: Rough / polished / chrome plated



Main parts and material

Body / bonnet	Cast or forged brass	Handwheel	Ductile iron, red
Seat seal	EPDM rubber	Outlet cover	Brass cap, pin lug with chain (Optional)

Available size

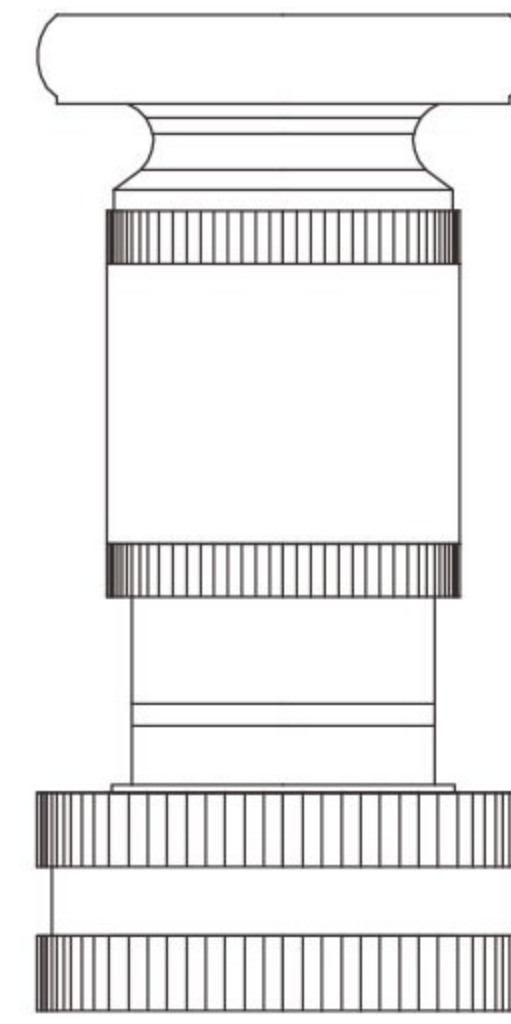
Size	Pattern	Inlet	Outlet	Working pressure (psi)
1-1/2"	Angle	1-1/2" NPT, F	1-1/2" NH, M	300
1-1/2"	Angle	1-1/2" NPT, F	1-1/2" NPT, F	300
1-1/2"	Angle, hydrolator	1-1/2" NPT, F	1-1/2" NH, M	300
1-1/2"	Angle, hydrolator	1-1/2" NPT, F	1-1/2" NPT, F	300
2-1/2"	Angle	2-1/2" NPT, F	2-1/2" NH, M	300
2-1/2"	Angle	2-1/2" NPT, F	2-1/2" NPT, F	300
2-1/2"	Angle	2-1/2" GRV	2-1/2" NH, M	300
2-1/2"	Angle	2-1/2" GRV	2-1/2" NPT, F	300

Adjustable fog nozzle

Adjustable fog nozzle (Portable spray nozzle) is normally used as rack nozzle with fire hose mounted on standpipe systems. It is adjustable by rotational control from wide fog, narrow fog, straight stream, to shut-off.



- Certificate: UL Listed
- Standard: UL 401, NFPA 14 / 1964
- Fire type: Class A and B
- Fire agent: Water
- Material: Cast brass / polycarbonate
- Feature: Adjustable, shut-off feature
- Surface: Rough / polished / chrome plated



Main parts and material

Barrel / base	Forged brass / polycarbonate	Stem (T-head)	Forged brass / polycarbonate
Packing	Synthetic rubber	Rubber bumper	NBR

Available size

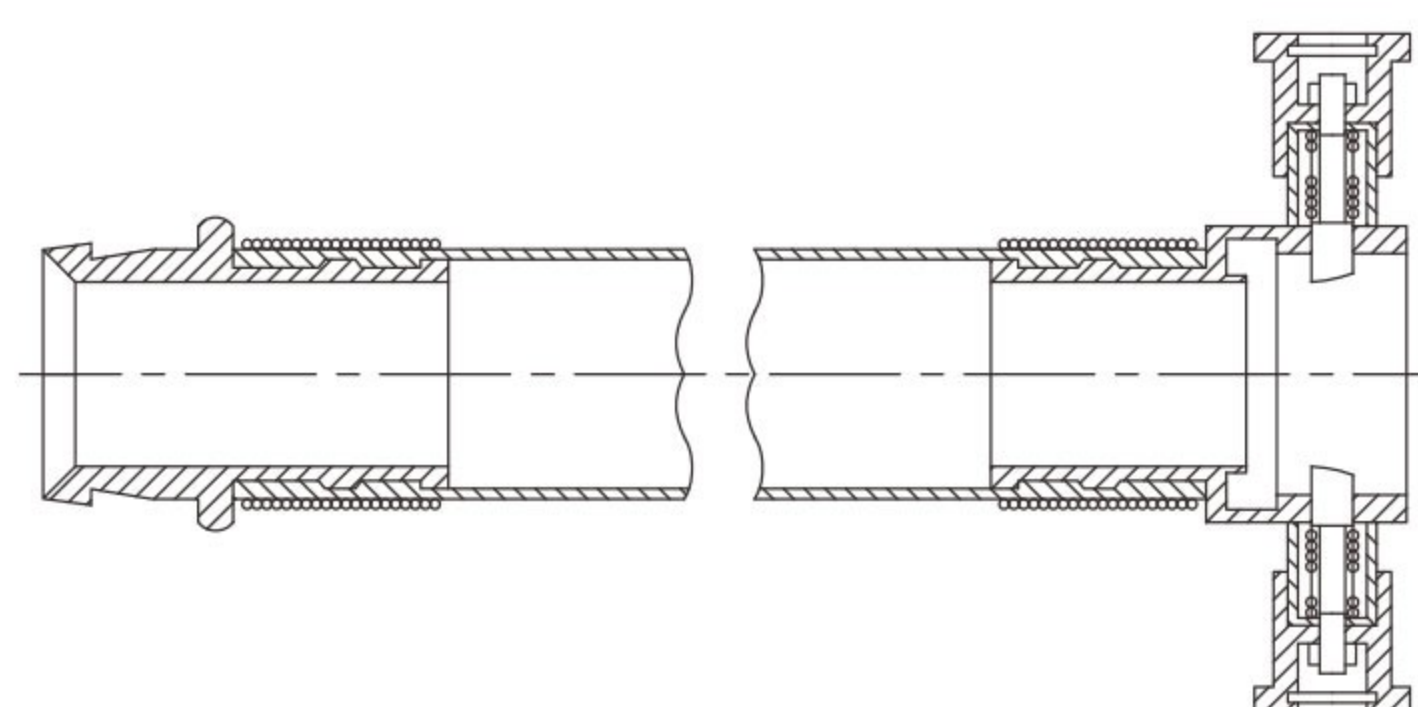
Size	Material	Inlet	Max inlet pressure (psi)	Rated operating pressure (psi)	Rated flow (gpm)
1-1/2"	Cast brass	1-1/2" NH, F	200	100	130
1-1/2"	Cast brass	1-1/2" NH, F	200	100	110
1-1/2"	Polycarbonate	1-1/2" NH, F	175	100	115
2-1/2"	Cast brass	2-1/2" NH, F	200	100	280
2-1/2"	Cast brass	2-1/2" BS336	200	100	280
1-1/2"	Cast brass	1-1/2" NH, F	200	100	90
2-1/2"	Cast brass	2-1/2" NH, F	200	100	200
2-1/2"	Polycarbonate	2-1/2" NH, F	175	100	273

Layflat fire hose

Layflat fire hose is typically used by the fire service to convey large quantities of high pressure water to the fire. For type 1 hose, it is conventional hose for general purpose, flexible, lightweight, without external treatment.



- Certificate: UL Listed
- Standard: BS 6391, DIN 14811, UL 19
- Feature: uncoated
- Color: White, standard
- Avail coating: Dyed or pigmented red, green, etc.
- Temperature: -40°C to 70°C



Main parts and material

Lining	EPDM, impermeable elastomeric layer	Jacket (Reinforcement)	100% high tenacity polyester, circular woven
Coupling	Aluminum / copper, BS 336 instantaneous, NH or Storz	Packing	Rolled

Available size

Size	Type	ID bore (mm)	End connection	Length (m)	Working pressure (psi)	Proof pressure (psi)	Burst pressure (psi)
1.5"	Single jacket	38	2.5" BS336	15, 23, 30, 45, etc.	250	375	750
2.5"	Single jacket	65	2.5" BS336	15, 23, 30, 45, etc.	250	375	750

- Note:**
1. The couplings are pre-assembled on both ends of fire hose through galvanized mild steel wire and applied over a hose guard for protection.
 2. Other size is available, including 1.75", 2", 3", 4", etc.



FALCON POWER

FOR SAFETY EQUIPMENT



توريد بأسعار وجودة
لا تقبل المنافسة

هاتف: 0547777503

فالكون باور السعوديه - ٦١١٢ شارع فلسطين
جده ٢٣٣٤١ - المملكة العربية السعوديه

E-Mail: Info@falconpower.sa
Web: www.falconpower.sa

Falcon Power Saudi Arabia 6112 palestine Street
Jeddah 23341 - Kingdom of Saudi Arabia