

LEIDE[®]

Shandong Lede Machinery Co.Ltd
Best manufacturer of valves



Valves for Fire Protection

DIN F4 Resilient seated OS&Y gate valve-flange end

Model No. Z41X-01

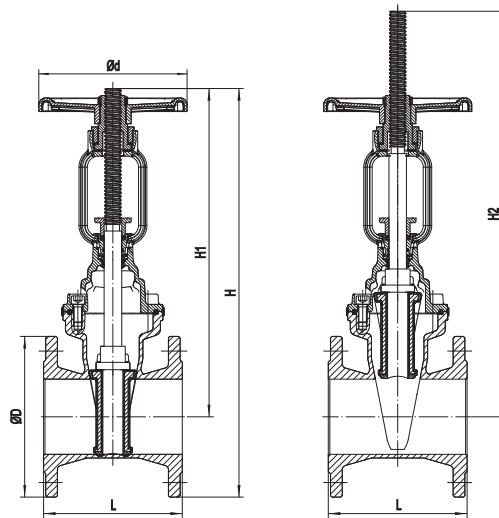


Name of parts	Material
Body	Ductile iron
Wedge	Ductile iron+EPDM
Stem nut	Bronze
Stem	SS431 or SS304, SS316, bronze
Bonnet	Ductile iron
Bonnet Gasket	EPDM
Sealing Ring	EPDM
Yoke	Ductile iron
Sliding disc	Bronze
Screw	Carbon steel with hot galvanization
O-rings	EPDM
Handwheel	Ductile iron

06

Technical data >

- Sizes: DN50~DN300
- Working pressure: PN16/PN25
- Valve standard: EN1171
- Flange standard: EN1092-2
- Temperature range: 0 ~ 80 °C

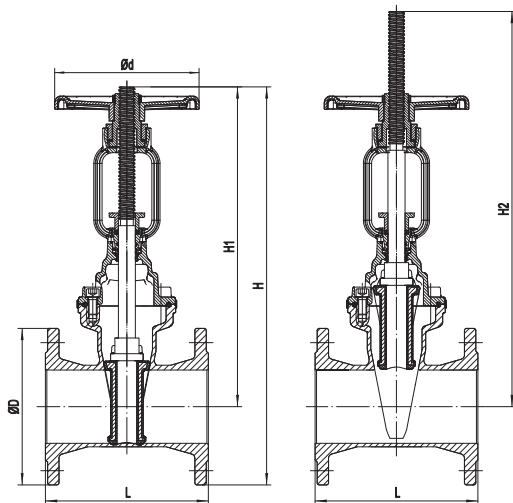


Dimensions		Pressure rating	Size (mm)					
DN	inch	PN	ΦD	L	H1	H2	H	Φd
50	2	16	165	150	358.5	420.5	441	203
		25						
65	2.5	16	185	170	359.5	429.5	452	203
		25						
80	3	16	200	180	378	462	478	203
		25						
100	4	16	220	190	449.5	553	559.5	203
		25	235				567	
125	5	16	250	200	549.5	677	674.5	300
		25	270				684.5	
150	6	16	285	210	591.5	747	734	300
		25	300				741.5	
200	8	16	340	230	735.5	938	905.5	330
		25	360				915.5	
250	10	16	400	250	900.5	1161	1100.5	406
		25	425				1113	
300	12	16	455	270	1045.5	1353	1273	406
		25	485				1288	

BS5163 Resilient seated OS&Y gate valve-flange end

Model No. Z41X-02

Name of parts	Material
Body	Ductile iron
Wedge	Ductile iron+EPDM
Stem nut	Bronze
Stem	SS431 or SS304, SS316, bronze
Bonnet	Ductile iron
Bonnet Gasket	EPDM
Sealing Ring	EPDM
Yoke	Ductile iron
Sliding disc	Bronze
Screw	Carbon steel with hot galvanization
O-rings	EPDM
Handwheel	Ductile iron



Technical data >

- Sizes: DN50~DN300
- Working pressure: PN16/PN25
- Valve standard: BS5163
- Flange standard: EN1092-2
- Temperature range: 0 ~ 80 C

Dimensions		Pressure rating	Size (mm)																																																																																																		
DN	inch	PN	ΦD	L	H1	H2	H	Φd																																																																																													
50	2	16	165	178	358.5	420.5	441	203																																																																																													
		25		216					65	2.5	16	185	190	359.5	429.5	452	203	25	241	80	3	16	200	203	378	462	478	203	25	283	100	4	16	220	229	449.5	553	559.5	203	25	235	305	567	125	5	16	250	254	549.5	677	674.5	300	25	270	381	684.5	150	6	16	285	267	591.5	747	734	300	25	300	403	741.5	200	8	16	340	292	735.5	938	905.5	330	25	360	419	915.5	250	10	16	400	330	900.5	1161	1100.5	406	25	425	457	1113	300	12	16	455	356	1045.5
65	2.5	16	185	190	359.5	429.5	452	203																																																																																													
		25		241					80	3	16	200	203	378	462	478	203	25	283	100	4	16	220	229	449.5	553	559.5	203	25	235	305	567	125	5	16	250	254	549.5	677	674.5	300	25	270	381	684.5	150	6	16	285	267	591.5	747	734	300	25	300	403	741.5	200	8	16	340	292	735.5	938	905.5	330	25	360	419	915.5	250	10	16	400	330	900.5	1161	1100.5	406	25	425	457	1113	300	12	16	455	356	1045.5	1353	1273	406	25	485	502	1288				
80	3	16	200	203	378	462	478	203																																																																																													
		25		283					100	4	16	220	229	449.5	553	559.5	203	25	235	305	567	125	5	16	250	254	549.5	677	674.5	300	25	270	381	684.5	150	6	16	285	267	591.5	747	734	300	25	300	403	741.5	200	8	16	340	292	735.5	938	905.5	330	25	360	419	915.5	250	10	16	400	330	900.5	1161	1100.5	406	25	425	457	1113	300	12	16	455	356	1045.5	1353	1273	406	25	485	502	1288															
100	4	16	220	229	449.5	553	559.5	203																																																																																													
		25	235	305			567		125	5	16	250	254	549.5	677	674.5	300	25	270	381	684.5	150	6	16	285	267	591.5	747	734	300	25	300	403	741.5	200	8	16	340	292	735.5	938	905.5	330	25	360	419	915.5	250	10	16	400	330	900.5	1161	1100.5	406	25	425	457	1113	300	12	16	455	356	1045.5	1353	1273	406	25	485	502	1288																												
125	5	16	250	254	549.5	677	674.5	300																																																																																													
		25	270	381			684.5		150	6	16	285	267	591.5	747	734	300	25	300	403	741.5	200	8	16	340	292	735.5	938	905.5	330	25	360	419	915.5	250	10	16	400	330	900.5	1161	1100.5	406	25	425	457	1113	300	12	16	455	356	1045.5	1353	1273	406	25	485	502	1288																																									
150	6	16	285	267	591.5	747	734	300																																																																																													
		25	300	403			741.5		200	8	16	340	292	735.5	938	905.5	330	25	360	419	915.5	250	10	16	400	330	900.5	1161	1100.5	406	25	425	457	1113	300	12	16	455	356	1045.5	1353	1273	406	25	485	502	1288																																																						
200	8	16	340	292	735.5	938	905.5	330																																																																																													
		25	360	419			915.5		250	10	16	400	330	900.5	1161	1100.5	406	25	425	457	1113	300	12	16	455	356	1045.5	1353	1273	406	25	485	502	1288																																																																			
250	10	16	400	330	900.5	1161	1100.5	406																																																																																													
		25	425	457			1113		300	12	16	455	356	1045.5	1353	1273	406	25	485	502	1288																																																																																
300	12	16	455	356	1045.5	1353	1273	406																																																																																													
		25	485	502			1288																																																																																														

AWWA C515 Resilient seated OS&Y gate valve-flange end

Model No. Z41X-03

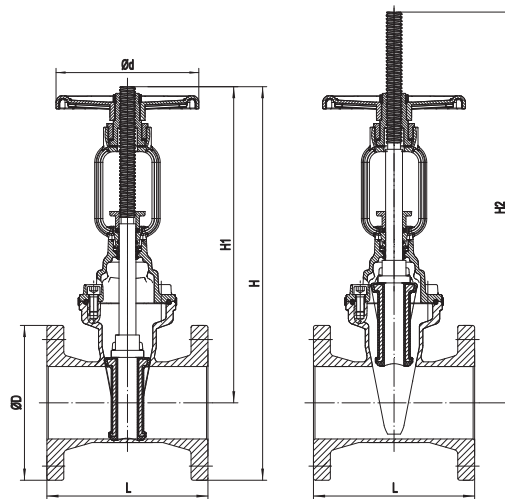


Name of parts	Material
Body	Ductile iron
Wedge	Ductile iron+EPDM
Stem nut	Bronze
Stem	SS431 or SS304, SS316, bronze
Bonnet	Ductile iron
Bonnet Gasket	EPDM
Sealing Ring	EPDM
Yoke	Ductile iron
Sliding disc	Bronze
Screw	Carbon steel with hot galvanization
O-rings	EPDM
Handwheel	Ductile iron

08

Technical data >

- Sizes: 2" ~ 12"
- Working pressure: 175PSI, 300PSI
- Valve standard: AWWA C515
- Flange standard: ASME-B16.1 Class125
- Temperature range: 0 ~ 80 C



Dimensions		Pressure rating	Size (mm)					
DN	inch	psi	ΦD	L	H1	H2	H	Φd
50	2	175	152	178	358.5	420.5	434.5	203
		300						
65	2.5	175	178	190	359.5	429.5	448.5	203
		300						
80	3	175	191	203	378	462	473.5	203
		300						
100	4	175	229	229	449.5	553	564	203
		300						
125	5	175	254	254	549.5	677	676.5	300
		300						
150	6	175	279	267	591.5	747	731	300
		300						
200	8	175	343	292	735.5	938	907	330
		300						
250	10	175	406	330	900.5	1161	1103.5	406
		300						
300	12	175	483	356	1045.5	1353	1287	406
		300						

Swing check valve with flange end

Model No. H44X

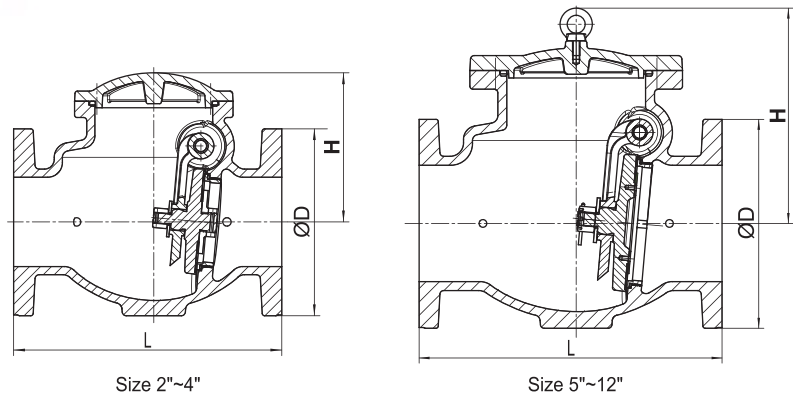


Name of parts	Material
Body	Ductile iron
Seat Ring	Bronze
Disc Sealing Ring	EPDM
Disc Plate	SS304
Disc	Ductile iron
Clapper Arm	Ductile iron
Bonnet Gasket	EPDM
Bonnet	Ductile iron
Hinge Pin	SS304
Hinge Bushing	Bronze
Hinge Plug	SS304

14

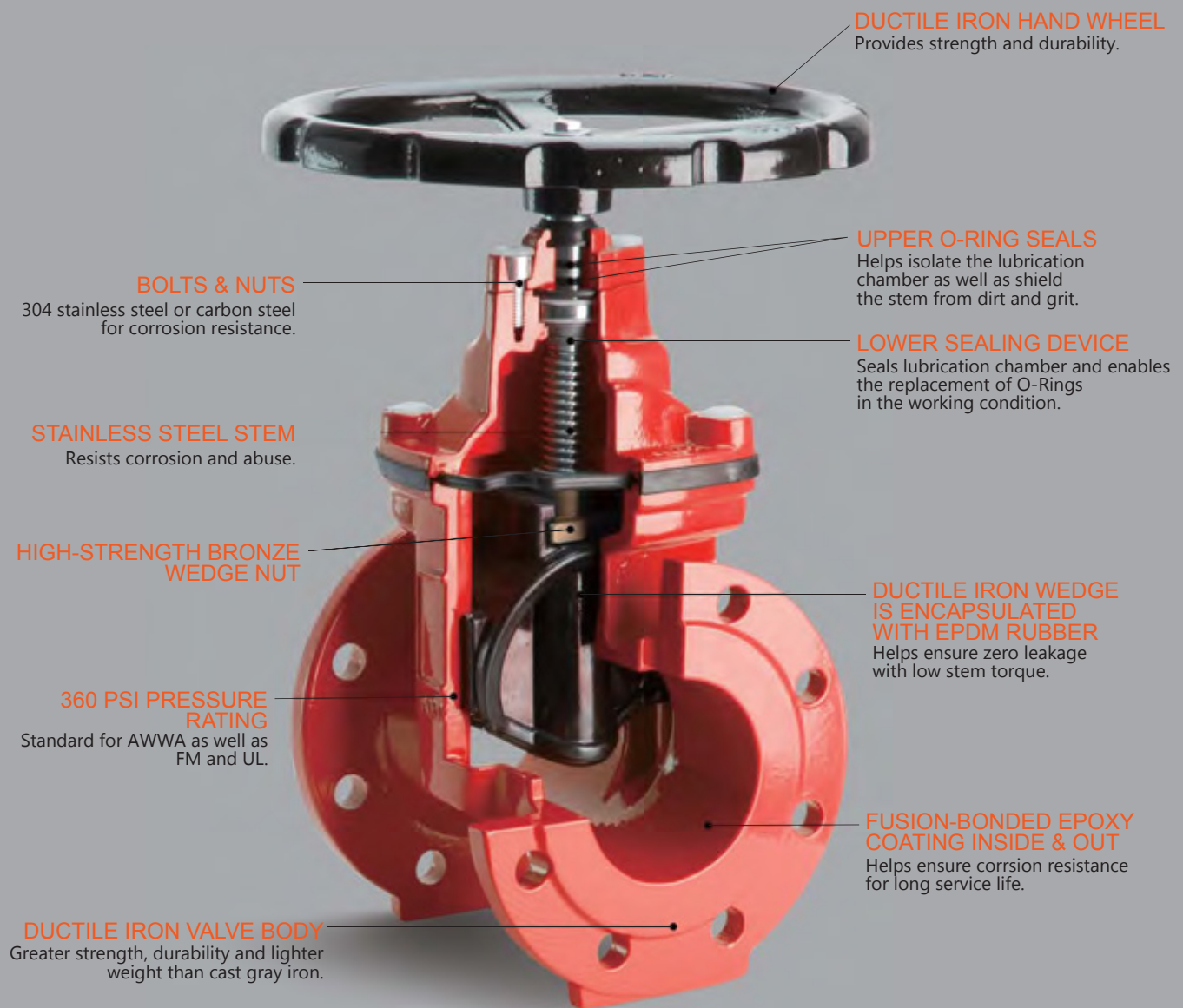
Technical data >

- Sizes: 2"~12"
- Working pressure: 300psi
- Valve standard: AWWA C508
- Flange standard: ASME-B16.1 Class125
- Temperature range: 0 ~ 80 C



Dimensions		Pressure rating	Size (mm)		
DN	inch		psi	ΦD	L
50	2	300	152	203	125
65	2.5	300	178	254	139
80	3	300	191	279	153
100	4	300	229	330	184
125	5	300	254	356	275
150	6	300	279	406	289
200	8	300	343	495	352
250	10	300	406	559	411
300	12	300	483	660	480

LEDE Ductile Iron Valve for Fire Protection



Tel: +86-536-8167992

Fax: +86-536-8167916

Email: Valve@ledegroup.cn

Web: www.lede-group.com

Address: No.3998, Xi Wai Huan Road, Weifang City, Shandong Province, China

UL Certificate.

HMRZ.EX26407 - Gate Valves

Gate Valves

[See General Information for Gate Valves](#)

SHANDONG LEDE MACHINERY CO LTD

EX26407

No 3998

West Waihuan N Rd

Weicheng District

Weifang, Shandong 261057 CHINA

Pattern	Model	Size, in.	End Configuration	Rated Pressure, psig	
OS&Y	Z41X-01-2.5	2, 2.5, 3, 4, 5, 6, 8, 10, 12	F By F	362	
	Z41X-02-2.5				
	Z41X-01-1.6	2, 2.5, 3, 4, 5, 6, 8, 10, 12		232	
	Z41X-02-1.6				
	Z41X-03-175	2, 2.5, 3, 4, 5, 6, 8, 10, 12		175	
	Z41X-03-300	2, 2.5, 3, 4, 5, 6, 8, 10, 12		300	
	1210	2, 2.5, 3, 4, 5, 6, 8, 10, 12		300	
	Z81X-2.5	2, 2.5, 2.5 (76.1 mm), 3, 4, 5 (139.7 mm), 5, 6 (165.1 mm), 6, 8		G by G	362
	1211	2, 2.5, 3, 4, 5, 6, 8, 10, 12			362

NRS	Z45X-01-2.5	2.5, 3, 4, 5, 6, 8, 10, 12	F By F	362
	Z45X-02-2.5			
	Z45X-01-1.6	2.5, 3, 4, 5, 6, 8, 10, 12		232
	Z45X-02-1.6			
	Z45X-03-175	2.5, 3, 4, 5, 6, 8, 10, 12		175
	Z45X-04-175	4, 5, 6, 8, 10, 12		
	Z45X-03-300	2.5, 3, 4, 5, 6, 8, 10, 12		300
	Z45X-04-300	4, 5, 6, 8, 10, 12		
	1110	2.5, 3, 4, 5, 6, 8, 10, 12		
	Z85X-2.5	2.5, 2.5 (76.1 mm), 3, 4, 5 (139.7 mm), 5, 6 (165.1 mm), 6, 8		G by G
1111	2.5, 3, 4, 5, 6, 8, 10, 12	362		
1112	3, 4, 6, 8, 10, 12	MJ by MJ	362	
1113	4, 6, 8, 10, 12		362	

Trademark and/or Tradename: "ONTOR",

LEDE / **LEDE** **PREM**

Last Updated on 2020-04-22

The appearance of a company's name or product in this database does not in itself assure that products so identified have been manufactured under UL Solutions' Follow - Up Service. Only those products bearing the UL Mark should be considered to be Certified and covered under UL Solutions' Follow - Up Service. Always look for the Mark on the product.

UL Solutions permits the reproduction of the material contained in Product iQ subject to the following conditions: 1. The Guide Information, Assemblies, Constructions, Designs, Systems, and/or Certifications (files) must be presented in their entirety and in a non-misleading manner, without any manipulation of the data (or drawings). 2. The statement "Reprinted from Product iQ with permission from UL Solutions" must appear adjacent to the extracted material. In addition, the reprinted material must include a copyright notice in the following format: "©2022 UL LLC."

HMER.EX27050 - Check Valves

Check Valves

SHANDONG LEDE MACHINERY CO LTD

EX27050

No 3998

West Waihuan N Rd

Weicheng District

Weifang, Shandong 261057 China

Trademark and/or Tradename:

PREMNote: For additional marking information, refer to the [Guide Information Page](#).*View model for additional information***Swing**, Model(s): [H44X](#), [H44X-01](#), [H44X-1.6](#), [H84X](#)[Last Updated](#) on 2022-11-15

The appearance of a company's name or product in this database does not in itself assure that products so identified have been manufactured under UL Solutions' Follow - Up Service. Only those products bearing the UL Mark should be considered to be Certified and covered under UL Solutions' Follow - Up Service. Always look for the Mark on the product.

UL Solutions permits the reproduction of the material contained in Product iQ subject to the following conditions: 1. The Guide Information, Assemblies, Constructions, Designs, Systems, and/or Certifications (files) must be presented in their entirety and in a non-misleading manner, without any manipulation of the data (or drawings). 2. The statement "Reprinted from Product iQ with permission from UL Solutions" must appear adjacent to the extracted material. In addition, the reprinted material must include a copyright notice in the following format: "©2022 UL LLC."

FM Approval.



Valves | Water Control Valves (OS&Y and NRS Gate Valves) | **Gate Valves, Outside Screw and Yoke**

Model Z41X-01-1.6, Z41X-02-1.6

Product Description

Resilient Seated Gate Valves. 2 through 12 inch NPS. Available with the following end connections and rated working pressure:

Product Specification

Model No	Valve Size		Rated Working Pressure		End Connection
	in	(mm)	psi	(kPa)	
Z41X-01-1.6	2, 2 1/2, 3, 4, 5, 6, 8, 10, 12	(50, 65, 80, 100, 125, 150, 200, 250, 300)	232	(1595)	Flange x Flange (EN)
Z41X-02-1.6	2, 2 1/2, 3, 4, 5, 6, 8, 10, 12	(50, 65, 80, 100, 125, 150, 200, 250, 300)	232	(1595)	Flange x Flange (BS)

Details

Category	Gate Valves, Outside Screw and Yoke
Class of Work	1120 - OS&Y and NRS Gate Valves
Approval Standard	FM 1120, 1130 - Fire Service Water Control Valves (OS&Y and NRS Type Gate Valves)
Certification Type	FM Approved
Listing Country	China

Company

Shandong Lede Machinery Co. Ltd.
 No. 3998 West Weihuan N Rd,
 Weicheng Dist, Weifang City,
 Shandong 261057, China
 China
<http://wflede.com>

Cookies help us improve your website experience.
 By using our website, you agree to our use of cookies.

Confirm





Valves | Single Check Valves | **Check Valves, Single**

Models H84X, H44X, H44X-01 and H44X-1.6

Product Description

Product Specification

Model No	Description	Valve Size		Rated Working Pressure		Remarks
		in	(mm)	psi	(kPa)	
Model H84X	Swing Check Valve, Grooved Ends	2, 2 1/2, 3, 4, 5, 6, 8, 10, 12	(50, 65, 80, 100, 125, 150, 200, 250, 300, 76.1, 139.7, 165.1)	365	(2515)	a, b
Model H44X	Swing Check Valve, Flanged Ends	2, 2 1/2, 3, 4, 5, 6, 8, 10, 12	(50, 65, 80, 100, 125, 150, 200, 250, 300)	300	(2065)	a, b
Model H44X-01	Swing Check Valve, Flanged Ends	2, 2 1/2, 3, 4, 5, 6, 8, 10, 12	(50, 65, 80, 100, 125, 150, 200, 250, 300)	300	(2065)	a, b
Model H44X-1.6	Swing Check Valve, Flanged Ends	2, 2 1/2, 3, 4, 5, 6, 8, 10, 12	(50, 65, 80, 100, 125, 150, 200, 250, 300)	300	(2065)	a, b, c

Remarks:

- a. For use in horizontal and vertical installations.
- b. Resilient seat.
- c. Flanged end connections conform to EN1092-2.

Details

Category	Check Valves, Single
Class of Work	1210 - Single Check Valves
Approval Standard	FM 1210 - Swing Check Valves
Certification Type	FM Approved
Listing Country	China

Company

Shandong Lede Machinery Co. Ltd.

No. 3998 West Weihuan N Rd,
Weicheng Dist, Weifang City,
Shandong 261057, China
China

<http://wflede.com>

Cookies help us improve your website experience.
By using our website, you agree to our use of cookies.

Confirm

Previous Approvals.

OWNER	CONSULTANT	CONTRACTOR
 المراكز العربية Arabian Centres		 أزيدك

PROJECT NAME: DANUBE - JEDDAH PARK	LOCATION: JEDDAH
---	-------------------------

MATERIAL SUBMITTAL / APPROVAL SHEET

<input checked="" type="checkbox"/> NEW SUBMITTAL	<input type="checkbox"/> RE-SUBMITTAL	SUBMITTAL DATE: 22/3/2022	SUBMITTAL NO.: MS-MECH-07	REV.: 00
PURPOSE OF SUBMITTAL				
<input checked="" type="checkbox"/> FOR APPROVAL		<input type="checkbox"/> FOR COMMENTS		<input type="checkbox"/> FOR INFORMATION
DISCIPLINE:				
<input checked="" type="checkbox"/> MECHANICAL	<input checked="" type="checkbox"/> Firefighting	<input type="checkbox"/> CIVIL	<input type="checkbox"/> ELECTRICAL	
<input type="checkbox"/> H. V. A. C.	<input type="checkbox"/> PLUMBING	<input type="checkbox"/> OTHERS...		Specify: FireFighting


MATERIAL NAME:	Non Return Valve (UL/FM)	ORIGIN:	
BOQ. REFERENCE:		MANUFACTURER/SUPPLIER:	LEDE
SPECS. REF.:		SUPPLIER:	
DRAWING REF.:		MATERIAL DELIVERY PERIOD:	Stock
LOCATION:	JEDDAH	MATERIAL REQUIRED AT SITE:	Danube Jeddah PARK
QUANTITY:		SAMPLE ATTACHMENT:	
B. S. REFERENCE:		CERTIFICATE ATTACHMENT:	

WARRANTY FROM THE MANUFACTURER / SUPPLIER:

CONTRACTORS REMARKS (if any):

CONSULTANTS COMMENTS:

APPROVED CHECK VALVE UL / FM LEDE TYPE AS PER CATALOGUE
 INSTALLATION SHOULD BE IN ZONE CONTROL ASSY.
 AS PER NFPA CODE

CONTRACTOR NAME: Mohamed Rabie POSITION: Mechanical Engineer SIGNATURE:  DATE: 22/3/2022		CONSULTANT NAME: _____ POSITION: Consultant Engineer SIGNATURE: _____ DATE: _____	
---	--	---	--



APPROVAL STATUS:

A MATERIAL APPROVED **B APPROVED WITH COMMENTS** **C MATERIAL REJECTED**

RECEIVED BY:	SIGNATURE: MOH. EDDRES	RECEIVED BY:	SIGNATURE:
(CONSULTANT)	DATE: 20/3/2022	(CONTRACTOR)	DATE:

OWNER	CONSULTANT	CONTRACTOR
 المراكز العربية Arabian Centres		

PROJECT NAME: DANUBE - JEDDAH PARK	LOCATION: JEDDAH
---	-------------------------

MATERIAL SUBMITTAL / APPROVAL SHEET

<input checked="" type="checkbox"/> NEW SUBMITTAL	<input type="checkbox"/> RE-SUBMITTAL	SUBMITTAL DATE: 22/3/2022	SUBMITTAL NO.: MS-MECH-06	REV.: 00
PURPOSE OF SUBMITTAL <input checked="" type="checkbox"/> FOR APPROVAL <input type="checkbox"/> FOR COMMENTS <input type="checkbox"/> FOR INFORMATION				
DISCIPLINE: <input checked="" type="checkbox"/> MECHANICAL <input checked="" type="checkbox"/> Firefighting <input type="checkbox"/> CIVIL <input type="checkbox"/> ELECTRICAL <input type="checkbox"/> H. V. A. C. <input type="checkbox"/> PLUMBING <input type="checkbox"/> OTHERS... Specify: FireFighting				

MATERIAL NAME:	Os & Y Gate Valve (UL/FM)	ORIGIN:	
BOQ. REFERENCE:		MANUFACTURER/SUPPLIER:	LEDE
SPECS. REF.:		SUPPLIER:	
DRAWING REF.:		MATERIAL DELIVERY PERIOD:	Stock
LOCATION:	JEDDAH	MATERIAL REQUIRED AT SITE:	Danube Jeddah PARK
QUANTITY:		SAMPLE ATTACHMENT:	
B. S. REFERENCE:		CERTIFICATE ATTACHMENT:	

WARRANTY FROM THE MANUFACTURER / SUPPLIER:

CONTRACTORS REMARKS (if any):

CONSULTANTS COMMENTS:

APPROVE OS & Y GATE VALVE UL/FM LEDE TYPE
 AS PER CATALOGUE
 INSTALLATION SHOULD BE AS PER A/FPA CODE
 IN ZONE CONTROL VALVE ASSY

CONTRACTOR	CONSULTANT
NAME: Mohamed Rabie POSITION: Mechanical Engineer SIGNATURE: DATE: 22/3/2022	NAME: POSITION: Consultant Engineer SIGNATURE: DATE:



APPROVAL STATUS: **A MATERIAL APPROVED** **B APPROVED WITH COMMENTS** **C MATERIAL REJECTED**

RECEIVED BY: (CONSULTANT)	SIGNATURE: MOH. EDREES DATE: 20/3/2022	RECEIVED BY: (CONTRACTOR)	SIGNATURE: DATE:
--	---	--	-----------------------------------