

---

**Title**

Material Submittal for Fire  
Department Connection

**Brand**

Giacomini

# **Index**

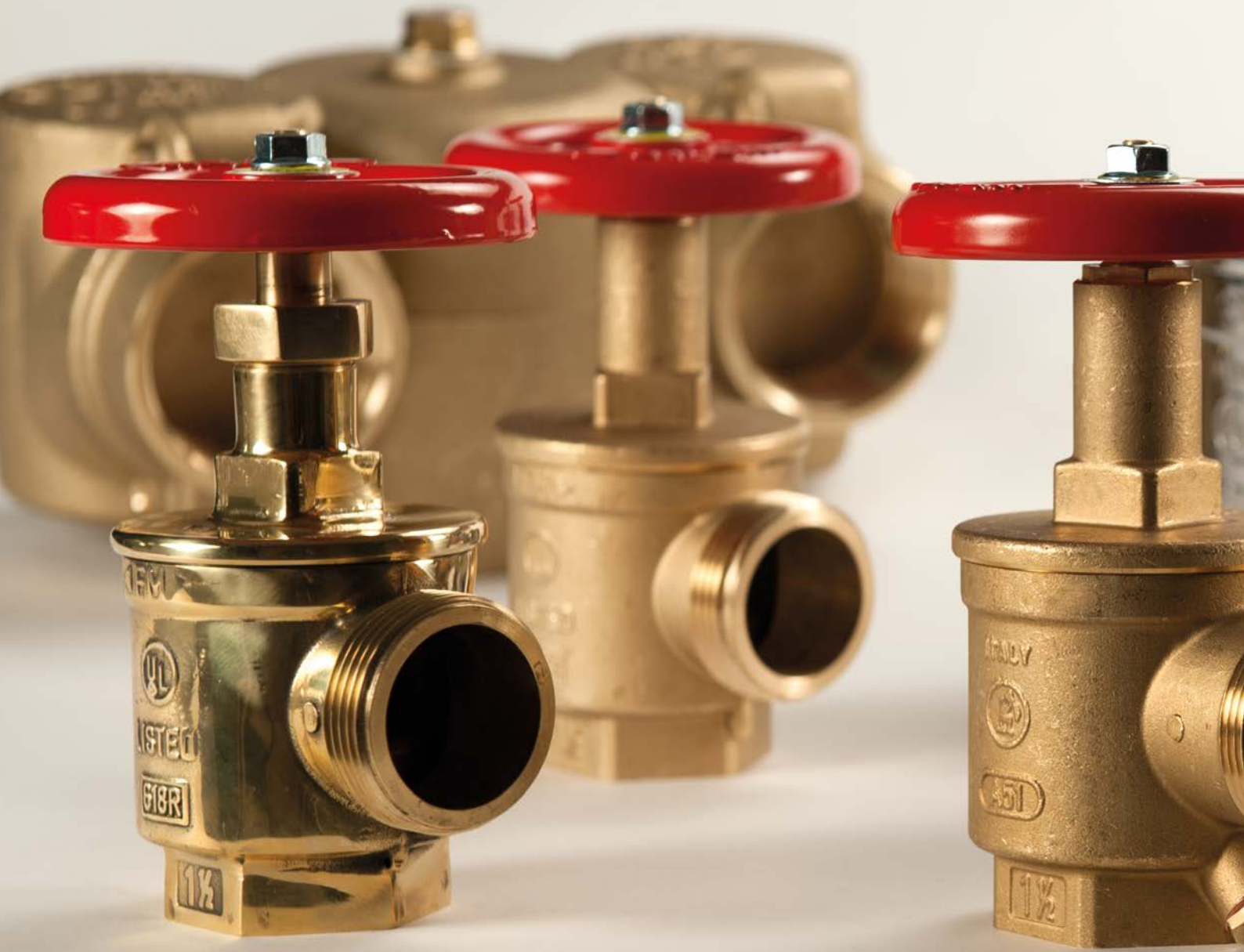
- ***Technical Data Sheets (Catalogues).***
- ***UL Certificate.***
- ***FM Approval.***
- ***Previous Approval.***

***Technical Data  
Sheets (Catalogues).***

# FIRE PROTECTION

## Catalogue





## SUMMARY



**A95**

**A96**

**Description**

Two-way siamese connections used as an auxiliary inlet connection providing 500 GPM minimum to supplement the fire protection water supply. Swing clapper provides full waterway. Exposed design provides an economical method of satisfying Fire Department. inlet requirements. These connections are most commonly located on the side of buildings (A95), but may also be located remote from the building (A96). These are known as “freestanding” or “sidewalk” Fire Department Connections). NFPA 13 requires the fire department connection to be located on the street side of buildings, but there are situations where locating the FDC in these locations is unpractical (e.g. large shopping malls), so solution as A96 are adopted.

**Versions and product codes**

Series	Size	Branding	Type	Finishing
A95	4" x 2 1/2"	"AUTO SPKR"	Two pin or rocker lug hose thread swivel inlets x straight NPT outlet Single clapper-back	Rough brass
A96	4" x 2 1/2"	"AUTO SPKR"	Two pin or rocker lug hose thread swivel inlets x angle NPT outlet Single clapper-angle	Rough brass

**Technical data**

- Rated pressure: 300 PSI (20,6 bar)

**Materials: A95 and A96**

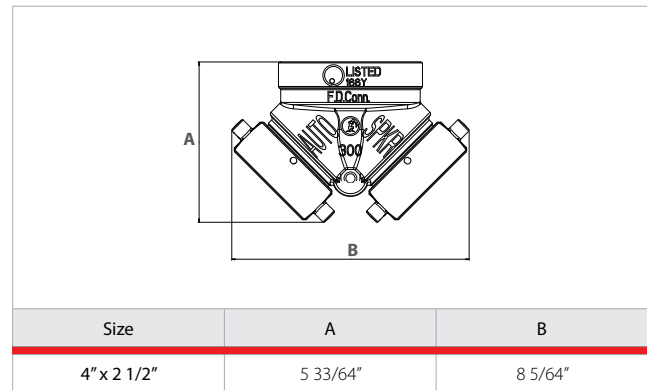
- Body: casted brass CuZn37Pb2Ni1AlFe-B in accordance with European Standard UNI EN1982-2000 CB753S, corresponding to American Standard ASTM B30 C85700
- Tensile strength of the material in the shape of bar: min. 300 MPa
- Stress for permanent distortion R(0.2): min. 150 MPa
- Elongation: min. 15 %
- Clapper and swivels: forged brass CuZn40Pb2 in accordance with European Standard EN 12165 CW617N, similar to American Standard ASTM B124 C37700
- Yield stress of the material in the shape of bar: 360 MPa
- Stress for permanent distortion R(0.2): 138 MPa
- Elongation: 10 %

**Approvals: A95 and A96**

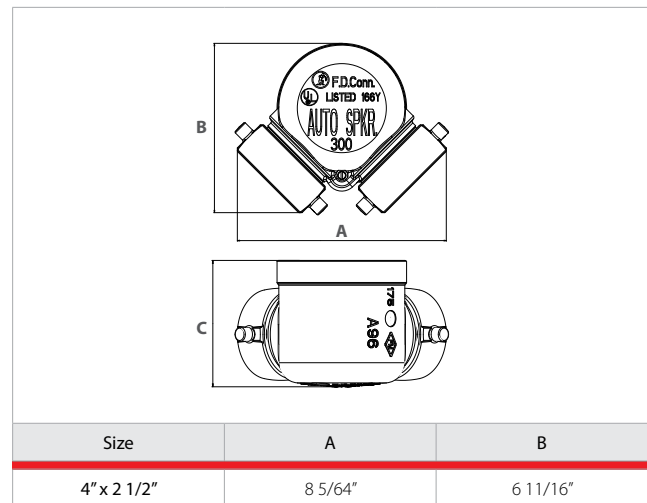


**Dimensions**

**A95 - TWO HOSE THREAD SWIVEL INLETS x STRAIGHT NPT OUTLET**



**A96 - TWO HOSE THREAD SWIVEL INLETS x ANGLE NPT OUTLET**



**Product specifications**

**A95**

Exposed Fire Department Inlet Connection, two way inlet body with single-back swing clapper and pin or rocker lug hose thread swivels; straight NPT outlet connection with main feature as following:

- Casted brass body
- Forged brass clapper
- Forged brass swivels
- 2 1/2" two pin or rocker lug hose thread swivel inlets
- 4" straight NPT outlet
- Rated pressure 300 psi
- FM approved, UL listed

**A96**

Exposed Fire Department Inlet Connection, two way inlet body with single swing clapper and pin or rocker lug hose thread swivels; angle NPT outlet connection with main feature as following:

- Casted brass body
- Forged brass clapper
- Forged brass swivels
- 2 1/2" two pin or rocker lug hose thread swivel inlets
- 4" straight NPT outlet
- Rated pressure 300 psi
- FM approved, UL listed



**GIACOMINI S.p.A.** Via per Alzo, 39  
28017 - San Maurizio d'Opaglio (NO) - ITALY  
Tel. (+39) 0322 923111 - [www.giacomini.com](http://www.giacomini.com)

# ***UL Certificate.***



## VSQV.EX3314 - Fire Department Connections

## Fire Department Connections

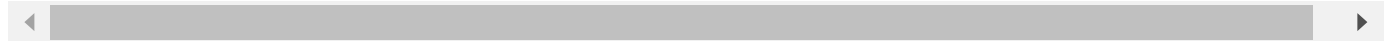
**GIACOMINI SPA**

VIA PER ALZO 39

S MAURIZIO D'OPAGLIO, NO 28017 Italy

EX3314

Trademark and/or Tradename:

Note: For additional marking information, refer to the [Guide Information Page](#).*View model for additional information***Exposed Type**, Model(s): [A105](#), [A106](#), [A90C](#), [A90C-1](#), [A91C](#), [A91C-1](#), [A95](#), [A96](#)**Flush Type**, Model(s): [A101](#), [A101](#), [A102](#), [A111](#), [A190T](#)[Last Updated](#) on 2023-01-31

The appearance of a company's name or product in this database does not in itself assure that products so identified have been manufactured under UL Solutions' Follow - Up Service. Only those products bearing the UL Mark should be considered to be Certified and covered under UL Solutions' Follow - Up Service. Always look for the Mark on the product.

UL Solutions permits the reproduction of the material contained in Product iQ subject to the following conditions: 1. The Guide Information, Assemblies, Constructions, Designs, Systems, and/or Certifications (files) must be presented in their entirety and in a non-misleading manner, without any manipulation of the data (or drawings). 2. The statement "Reprinted from Product iQ with permission from UL Solutions" must appear adjacent to the extracted material. In addition, the reprinted material must include a copyright notice in the following format: "©2023 UL LLC."

***FM Approval.***



Other Fire Protection Products | Fire Department Connections | **Fire Service Connections**

## Fig. Nos. **A95**, A96, A105, A106

### Product Description

Fig. Nos. A95, A96, A105, A106

#### Product Specification

Model No	Description	Nominal Size, Inlets x Outlet, in
<b>A95</b>	Straightway Siamese	2 1/2 x 2 1/2 x 4
A96	90° Siamese	2 1/2 x 2 1/2 x 4
A105	Straightway Siamese	2 1/2 x 2 1/2 x 4
A106	90° Siamese	2 1/2 x 2 1/2 x 4

Connections A95 & A96 are rated 300 psi (2068 kPa)

## Details

<b>Category</b>	Fire Service Connections
<b>Class of Work</b>	1530 - Fire Department Connections
<b>Approval Standard</b>	FM 1530 - Fire Department Connections
<b>Certification Type</b>	FM Approved
<b>Listing Country</b>	Italy

## Company

**Giacomini SpA**  
Via per Alzo 39, 28017 San  
Maurizio d'Opaglio (NO) Italy  
Italy  
<http://giacomini.com>

Cookies help us improve your website experience.  
By using our website, you agree to our use of cookies.

Confirm

***Previous Approval.***

OWNER	CONSULTANT	CONTRACTOR
 <p>هاند العالمية للفنادق والمنتجعات السياحية HAND INTERNATIONAL HOTELS &amp; RESORTS</p>	 <p>تصميم - إشراف - إدارة مشاريع</p>	 <p>شركة أزيدك لأجهزة السلامة</p>

PROJECT NAME: Platinum Park	LOCATION: Taif
-----------------------------	----------------

**MATERIAL SUBMITTAL / APPROVAL SHEET**

<input checked="" type="checkbox"/> NEW SUBMITTAL	<input type="checkbox"/> RE-SUBMITTAL	SUBMITTAL DATE: 18/03/2023	SUBMITTAL NO.: MS-Mech-FF-05	REV.: 00
PURPOSE OF SUBMITTAL		<input checked="" type="checkbox"/> FOR APPROVAL	<input type="checkbox"/> FOR COMMENTS	<input type="checkbox"/> FOR INFORMATION
DISCIPLINE:	<input checked="" type="checkbox"/> MECHANICAL	<input checked="" type="checkbox"/> Firefighting	<input type="checkbox"/> CIVIL	<input type="checkbox"/> ELECTRICAL
	<input type="checkbox"/> H. V. A. C.	<input type="checkbox"/> PLUMBING	<input type="checkbox"/> OTHERS...	Specify: Fire Fighting

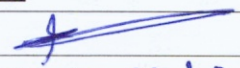
MATERIAL NAME:	Fire Department Connection	ORIGIN:	Italy
BOQ. REFERENCE:		MANUFACTURER/SUPPLIER:	Giacomini
SPECS. REF.:		SUPPLIER:	
DRAWING REF.:		MATERIAL DELIVERY PERIOD:	Stock
LOCATION:	Taif	MATERIAL REQUIRED AT SITE:	
QUANTITY:		SAMPLE ATTACHMENT:	
B. S. REFERENCE:		CERTIFICATE ATTACHMENT:	

WARRANTY FROM THE MANUFACTURER / SUPPLIER:

CONTRACTORS REMARKS (if any):

CONSULTANTS COMMENTS:

CONTRACTOR	CONSULTANT
NAME: <b>Mohamed Rabea</b>	NAME:
POSITION: <b>Mechanical Engineer</b>	POSITION: <b>Consultant Engineer</b>
SIGNATURE:	SIGNATURE:
DATE: <b>12/03/2023</b>	DATE:

APPROVAL STATUS:	<input checked="" type="checkbox"/> MATERIAL APPROVED	<input type="checkbox"/> APPROVED WITH COMMENTS	<input type="checkbox"/> MATERIAL REJECTED
RECEIVED BY:	SIGNATURE: 	RECEIVED BY:	SIGNATURE:
(CONSULTANT)	DATE: <b>March - 22nd - 2023</b>	(CONTRACTOR)	DATE:

<b>OWNER</b>	<b>CONSULTANT</b>	<b>CONTRACTOR</b>
 <b>Delmon Products Limited</b> An IFFCO group of Companies	 <b>TYA</b> ASSOCIATES طلال يحيى عثمان للإستشارات الهندسية	 <b>FMC</b> CONSTRUCTION

<b>PROJECT NAME:</b> DELMON PRODUCTS LTD.	<b>LOCATION:</b> YANBU
---	------------------------

**MATERIAL SUBMITTAL / APPROVAL SHEET**

<input checked="" type="checkbox"/> <b>NEW SUBMITTAL</b>	<input type="checkbox"/> <b>RE-SUBMITTAL</b>	<b>SUBMITTAL DATE:</b> 2021-01-11	<b>SUBMITTAL NO.:</b> MS-MECH-22	<b>REV.:</b> 00
<b>PURPOSE OF SUBMITTAL</b>		<input checked="" type="checkbox"/> <b>FOR APPROVAL</b>	<input type="checkbox"/> <b>FOR COMMENTS</b>	<input type="checkbox"/> <b>FOR INFORMATION</b>
<b>DISCIPLINE:</b>	<input type="checkbox"/> ARCHITECTURAL	<input type="checkbox"/> STRUCTURAL	<input type="checkbox"/> CIVIL	<input type="checkbox"/> ELECTRICAL
	<input type="checkbox"/> H. V. A. C.	<input type="checkbox"/> PLUMBING	<input checked="" type="checkbox"/> <b>OTHERS...</b>	<i>Specify: Fire Fighting</i>

<b>MATERIAL NAME:</b>	Fire Department Connection & Check Valve	<b>ORIGIN:</b>	
<b>BOQ. REFERENCE:</b>		<b>MANUFACTURER:</b>	GIACOMINI / UNITED BRASS
<b>SPECS. REF.:</b>		<b>SUPPLIER:</b>	
<b>DRAWING REF.:</b>		<b>MATERIAL DELIVERY PERIOD:</b>	2 Weeks
<b>LOCATION:</b>		<b>MATERIAL REQUIRED AT SITE:</b>	Delmon Project Site
<b>QUANTITY:</b>		<b>SAMPLE ATTACHMENT:</b>	
<b>B. S. REFERENCE:</b>		<b>CERTIFICATE ATTACHMENT:</b>	

WARRANTY FROM THE MANUFACTURER / SUPPLIER:

CONTRACTORS REMARKS (if any):

CONSULTANTS COMMENTS:

GIACOMINI / UNITED BRASS Fire Department Connection & Check Valve is approved as submitted

<b>CONTRACTOR</b>	<b>CONSULTANT</b>	<b>OWNER REPRESENTATIVE</b>
<b>NAME:</b> Abdul Rafay	<b>NAME:</b> Melvin D. Bugayong	<b>NAME:</b> MUHAMMAD MAJID HANIF
<b>POSITION:</b> Mechanical Engineer	<b>POSITION:</b> Mechanical Engineer	<b>POSITION:</b> Associate Manager Maintenance
<b>SIGNATURE:</b> 	<b>SIGNATURE:</b> 	<b>SIGNATURE:</b>
<b>DATE:</b> 2021-01-11	<b>DATE:</b> 2021-01-12	<b>DATE:</b>

**APPROVAL STATUS:**  **A MATERIAL APPROVED**  **B APPROVED WITH COMMENTS**  **C MATERIAL REJECTED**

<b>RECEIVED BY:</b>	<b>SIGNATURE:</b> _____	<b>RECEIVED BY:</b>	<b>SIGNATURE:</b> _____
<b>(CONSULTANT)</b>	<b>DATE:</b> _____	<b>(CONTRACTOR)</b>	<b>DATE:</b> _____